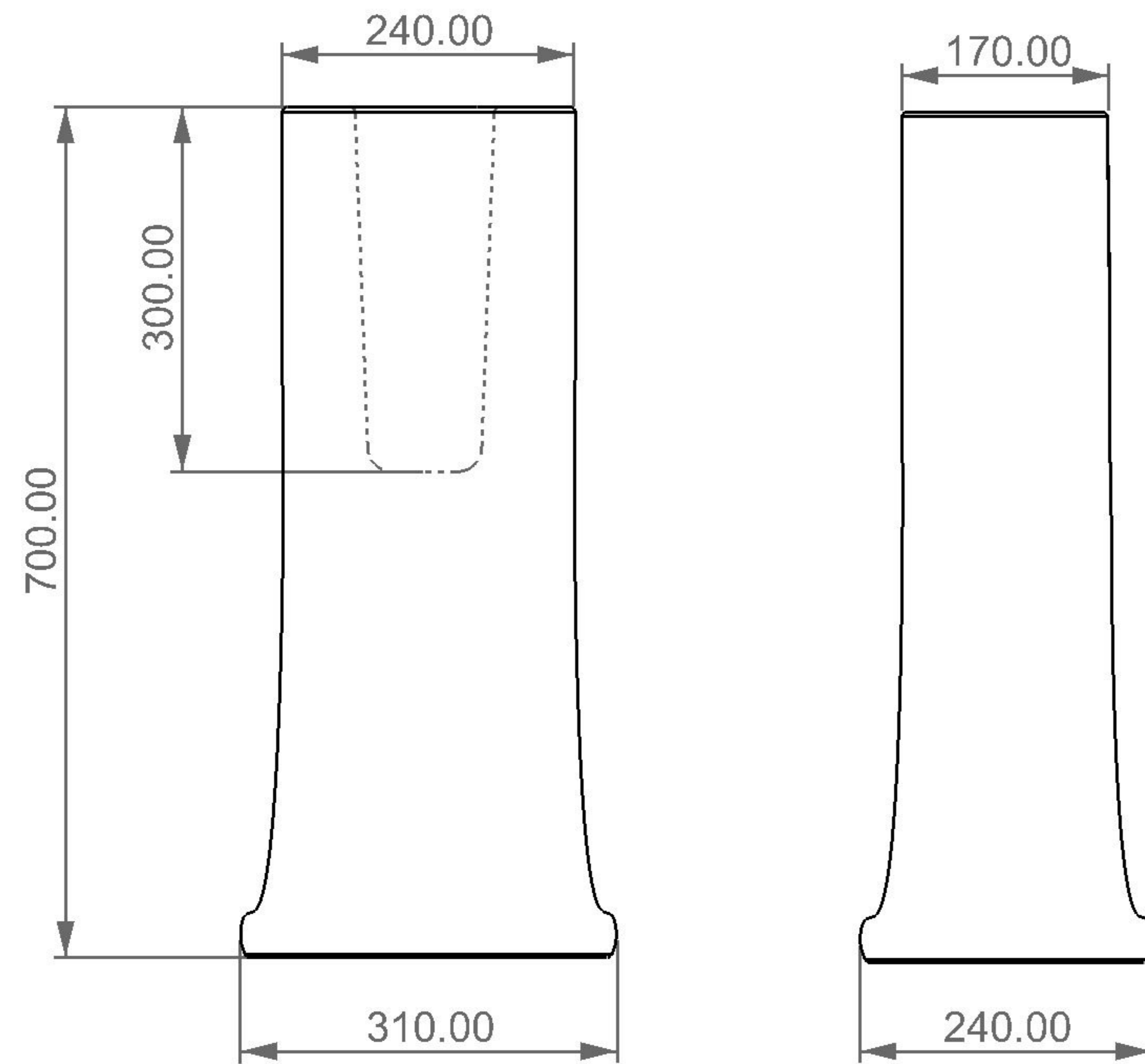
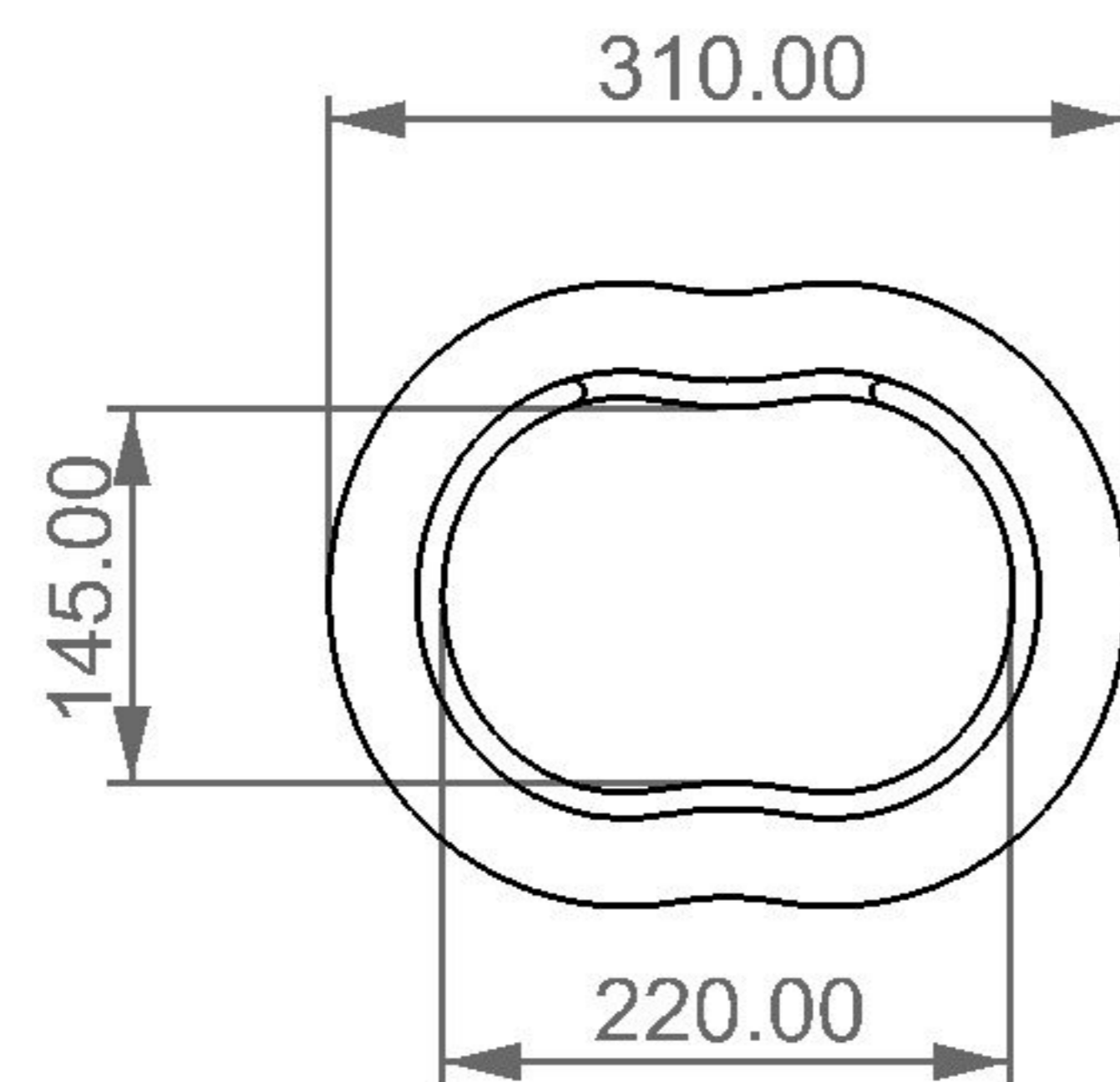


Colonna per lavabi TIME cm 75 e 95
 Washbasin column TIME cm 75 and 95

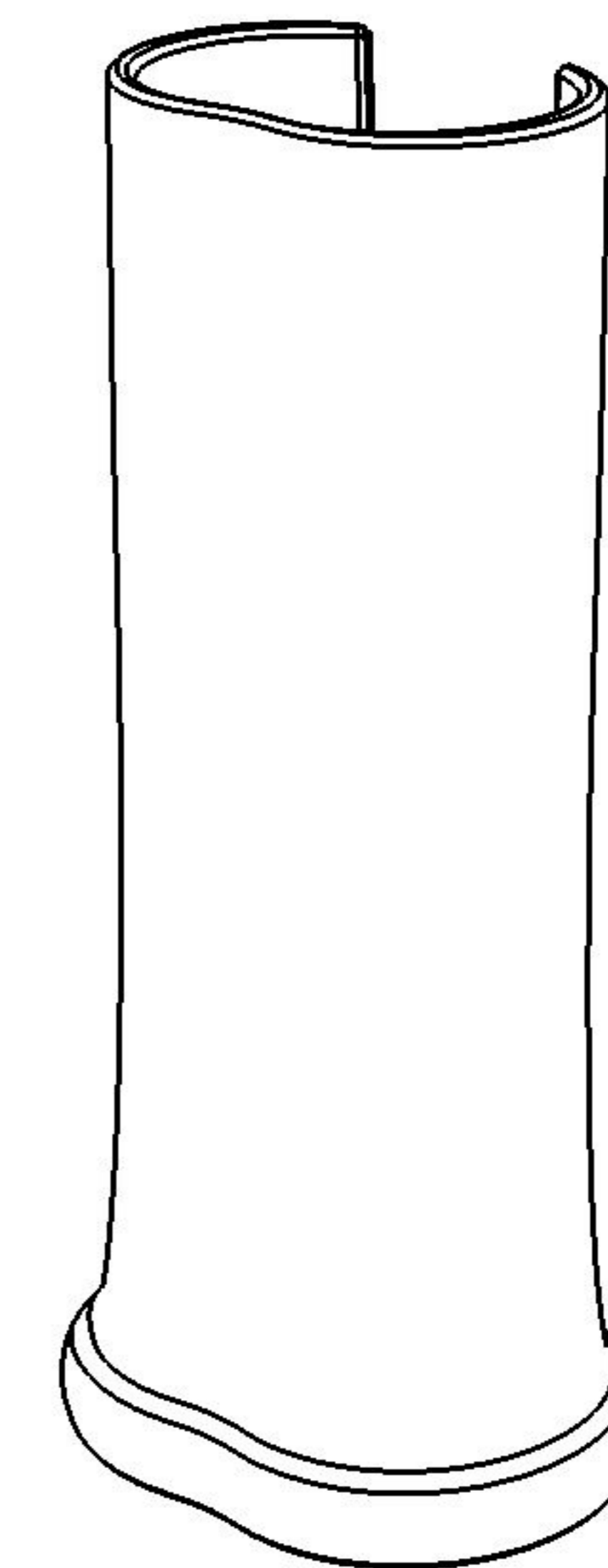



FRONT

LEFT



TOP



Designation Colonna per lavabi TIME cm 75 e 95 Washbasin column TIME cm 75 and 95	
Scale 1:10	This drawing including the respective data may neither be duplicated nor modified nor altered without the consent of GSG Ceramic Design. The use of the data/technical drawings take place at users own risk and under exclusion of any liability of GSG Ceramic Design. The dimensions are not binding; products are subject to changes. Measurement shown may be subjected to small variations or are indicative.
cod. TICOL	